



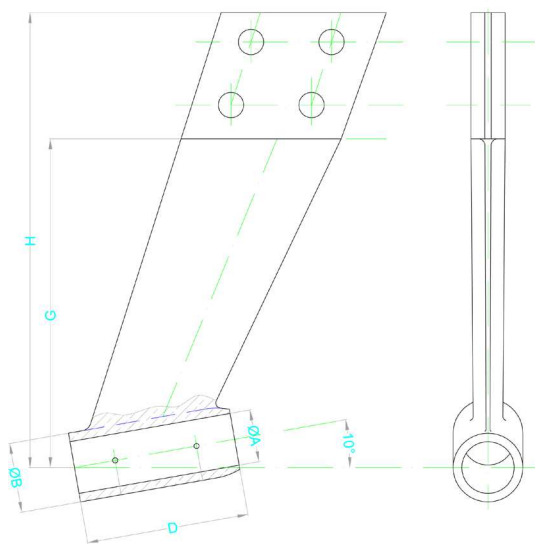
## GLASS IN 'P' BRACKET (ALUMINIUM BRONZE) - MAUCOUR

Designed for sailing boats and powerboats, this type of brackets has the advantage of being adjustable in height and angle at the installation.

They are made in Aluminum bronze and supplied with a cutless bearing.

They can also be produced in stainless steel or aluminum mechanically welded on request.

Our technical team is at your disposal to provide the best technical and commercial offers to suit your needs.



Bearing Dimensions					
Shaft Ø (mm)	B (mm)	D (mm)	G (mm)	H (mm)	Reference
25	40	106	230	320	CHASCUAPMV025
30	45	130	270	380	CHASCUAPMV030
35	50.8	158	318	440	CHASCUAPMV035
40	55	166	360	500	CHASCUAPMV040
45	65	184	405	560	CHASCUAPMV045
50	70	205	445	620	CHASCUAPMV050
55	76.2	230	495	690	CHASCUAPMV055
60	80	254	540	750	CHASCUAPMV060

Supplied with aqualube bearing.



Other dimensions on request

DESIGNED FOR SAILING BOATS AND POWERBOATS  
 CUPRO NICKEL ALUMINIUM MATERIAL  
 SUITABLE FOR ALL HULLS TYPE  
 ADJUSTABLE