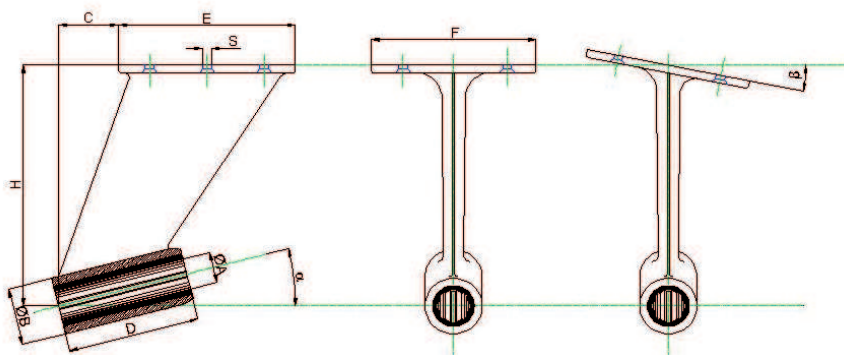




PLATFORM 'P' BRACKET (OTMAN) - TYPE RADICE



Bearing Dimensions			E (mm)	F (mm)	S (mm)	Holes num- ber	Max. Height (mm)	Reference
Shaft Ø (mm)	B (mm)	D (mm)						
25	50	102	132	110	8	4	180	CHAAA025CU
30	60	127	158	132	10	4	200	CHAAA030CU
35	65	140	184	154	10	6	230	CHAAA035CU
40	70	165	210	176	12	6	260	CHAAA040CU
45	85	178	235	198	12	6	300	CHAAA045CU
50	90	203	260	220	12	6	350	CHAAA050CU

Other dimensions on request



Autres dimensions sur demande

PERFECT FOR RECREATIONNAL BOAT
OTMAN MATERIAL
NOT SUITABLE FOR ALUMINIUM HULLS