



FLEXIBLE GLANDS

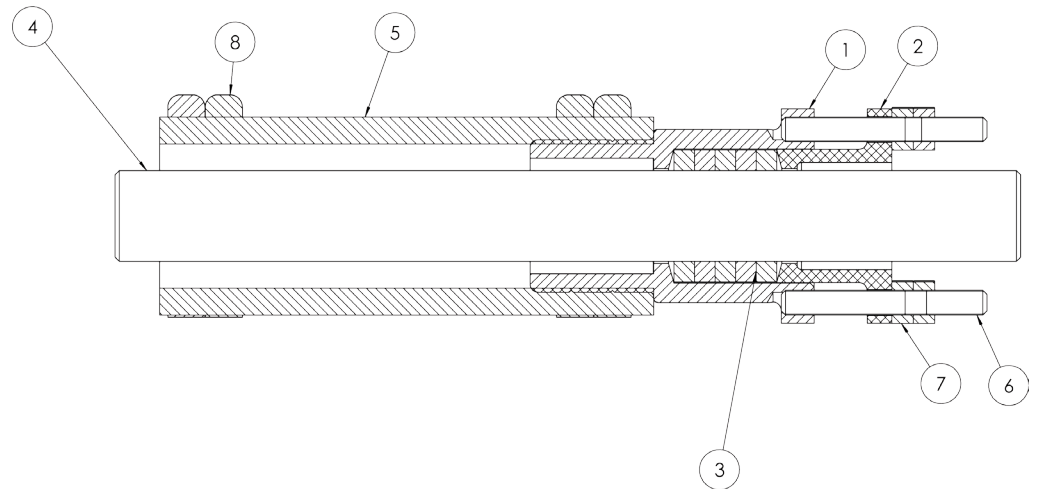
The flexible gland is a classic, traditional seal. It is connected to the stern tube with a rubber hose and stainless steel clamps. The seal is effected by packing rings contacting the propeller shaft. This type of seal requires greasing each time the engine is used and the packing rings should be regularly adjusted.

Size available : for shaft diameters from 22 - 60mm (other sizes available on request)

Application: Leisure craft - Fishing

Descriptif :

- 1/2. Seal Gland
- 3. Packing
- 4. Shaft
- 5. Hose
- 6. Tige filetée
- 7. Bolt
- 8. 316L Clamps



SHAFT Ø	Ext. Ø Stern-tube (mm)	Total Length (mm)	Hose Length (mm)	Packing (mm)	Reference
22	35	201	120	5 x 5	BTR022035
22	40	171	120	5 x 5	BTR022040
25	40	171	120	5 x 5	BTR025040
25	45	201	150	5 x 5	BTR025045
30	45	201	150	5 x 5	BTR030045
30	50	201	150	5 x 5	BTR030050
30	55	201	150	5 x 5	BTR030055
35	50	201	150	5 x 5	BTR035050
35	55	201	150	5 x 5	BTR035055
35	60	231	180	5 x 5	BTR035060
40	60	255	180	6 x 6	BTR040060
40	65	255	180	6 x 6	BTR040060
45	70/73	225	/	8 x 8	BTR045_BSGBU
50	70/73 ou 80/83	275 ou 235	/	10 x 10	BTR050_BSGBU
55	85/88 ou 90/93	295 ou 245	/	12 x 12	BTR055_BSGBU
60	85/88 ou 90/93	295 ou 245	/	/	BTR060_BSGBU

Ce document n'est pas contractuel - This document is not contractual