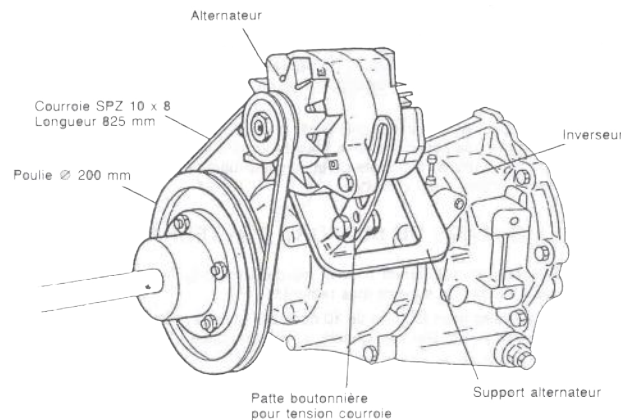




On sailing boats fitted with «inboard» engines, it allows to recharge or maintain the level of battery power, without having to run the engine. Thanks to alternators at low speeds priming, charge starts at 3 or 4 knots and generally allows an independent power at 5 knots.

These parameters vary according to the hull design and propeller.

## VIEW OF THE MOUNTED ASSEMBLY



## COMPLETE ALTERNATOR KIT

Gearbox	CODE ALT 14V / 25A
Borg Warner 72C	ALT1425_010
RMC	ALT1425_008
PRM - Delta 20	ALT1425_004
Hurth - HBW 100	ALT1425_000
Hurth - HBW 150	ALT1425_024
Volvo MS2	ALT1425_006
Hurth - HBW 220/250	ALT1425_022
ZF - BW7	ALT1425_995
Yanmar KM2 - 1GM/2GM	ALT1425_985



**CODE ALT 14V / 25A**  
**Priming 380 rpm**

**ALTA510837**

Mechanical characteristics:

- ➔ Ext. Standard size Ø 141mm
- ➔ Coal carrier easily accessible
- ➔ Sealed bearings lubricated for life
- ➔ Max. continuous operating speed 12 500 RPM
- ➔ Clockwise rotation looking at the pulley
- ➔ Maximum temperature. -40 ° C / 60 ° C

Electrical characteristics:

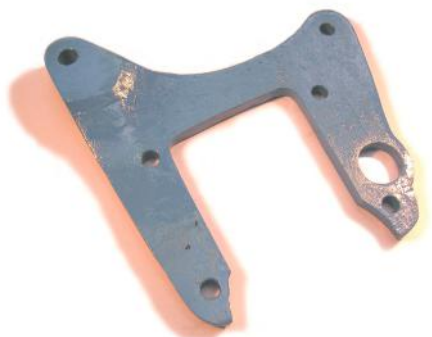
- ➔ Built-in electronic controller adjusted with laser
- ➔ Output voltage of 14.4 V or 28.15 +/- 0.15 at 20 ° C
- ➔ Three-phase
- ➔ Isolated ground circuit
- ➔ Anti-interference
- ➔ Tachometer output

**MAUCOUR FRANCE - VOTRE SPÉCIALISTE EN PROPULSION MARINE DEPUIS 1868 - WWW.MAUCOUR.FR**

5, rue de la Dutée - CP 1202 - 44806 Saint-Herblain cedex - Tél. +33 (0)2 40 92 16 36 - Fax : +33 (0)2 40 92 02 89 - info@maucour.fr



## SUPPORT



Gearbox	Reference
Borg Warner 72C	ALTS115_01
RMC	ALTS115_03
PRM - Delta 20	ALTS115_04
Hurth - HBW 100/150	ALTS115_05
Volvo MS2	ALTS115_06
Hurth - HBW 220/250	ALTS115_08
ZF - BW7	ALTS115_09
Yanmar KM2 - 1GM/2GM	ALTS115_10



## TIGHTENER

Reference
ALTB520105



## SPZ BELT

Dimensions (mm)	Length (mm)	Référence
10 x 8	825	ALTC825
10 x 8	850	ALTC850
10 x 8	875	ALTC875
10 x 8	900	ALTC900



## PULLEY

Gearbox	Reference
Borg Warner 72C	ALTP116_000_01
RMC	ALTP116_000_03
PRM - Delta 20	ALTP116_000_04
Hurth	ALTP116_000_05
Volvo MS2	ALTP116_000_06
Yanmar KM2	ALT1425_006
1GM/2GM	ALTP116_000_07
ZF - BW7	ALTP116_000_08

## SCREWS KIT

Gearbox	Reference
Borg Warner	ALTK11701
RMC	ALTK11703
PRM - Delta 20	ALTK11704
Volvo MS2	ALTK11706
Hurth - HBW 220/250	ALTK11708
ZF - BW7	ALTK11709
Yanmar KM2 - 1GM/2GM	ALTK11710
Hurth - HBW 100/150	ALTK11712