



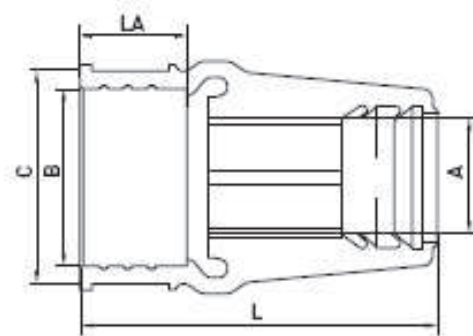
TYPE VOLVO



Metric					
A (mm)	B (mm)	C (mm)	L (mm)	LA (mm)	Reference
25	44.45	55	105	36	PEC025
30	47	60	111	36	PEC030
35	54	72.5	119	36	PEC035
40	59.5	70.5	119	38	PEC040
Imperial					
25.4	44.45	55	102	36	PEC100
31.75	52	71	119	36	PEC114
38.1	56	71	119	36	PEC112



Other dimensions on request



The caoutchouc seal is a well known product for sailing boats. The flow of water lubricates the joint. The tightness of the propeller shaft is made by a lip seal. Some installations may require a water inlet for proper working. Available for small shaft diameter 25 to 40 mm and in imperial too.

- Application : - Sailing boats / Small motor boats
 Advantages : - Quick and easy installation.
 - Space-saving.
 - Low maintenance.
 - Long life.

NB. Do not use this seal when using a flexible coupling.

QUICK AND EASY INSTALLATION
SPACE-SAVING
LOW MAINTENANCE
LONG LIFE